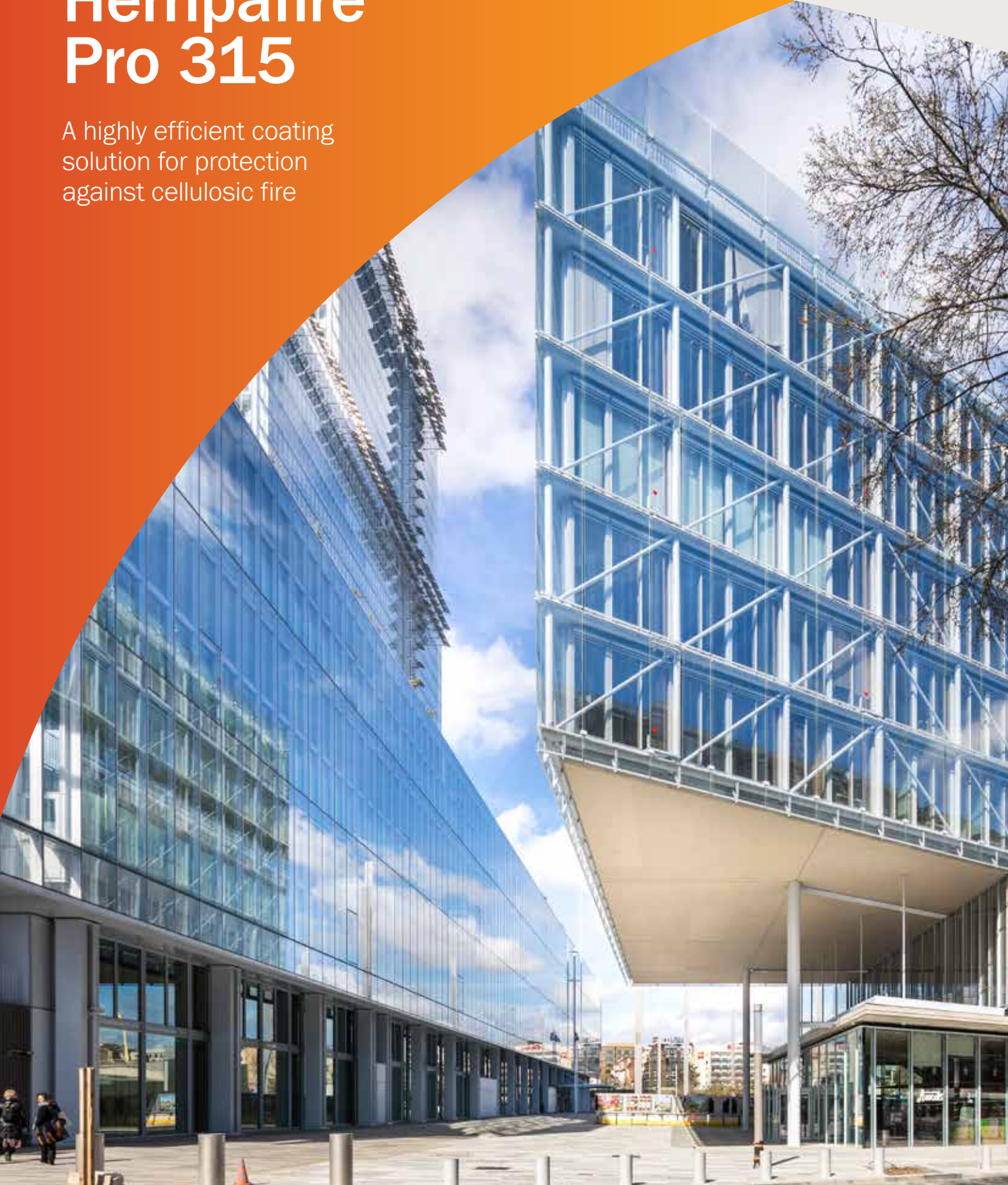


Hempafire Pro 315

A highly efficient coating
solution for protection
against cellulosic fire





How does an intumescent coating work?

Hempel's intumescent coatings protect valuable assets during fire and potentially save lives. Applied to structural steel in thin coats, in the event of fire exposure, the coatings expand to form an insulating char, which protects the steel beneath from the effects of thermal increase. This enables structural steel to retain its load-bearing capacity for longer, giving extra time for evacuation and emergency response.

Introducing Hempafire Pro 315

A proven passive fire protection coating, with lower loadings and higher application efficiency.

Our new passive fire protection product, Hempafire Pro 315, has been developed to maintain the stability of steel structures in the event of a fire.

It has been optimised for 60 minutes cellulosic fire protection and has been independently tested for both I sections and hollow sections and can be used on any steel profile, including cellular beams. It can also provide some additional fire protection for up to 90 minutes.

Hempafire Pro 315 dries to a smooth, aesthetically pleasing finish. Used with a primer as part of a two-coat system, it provides both fire protection and corrosion protection in C1 to C3 interior environments*. When combined with a primer and topcoat, it also offers excellent long-term protection in C4 environments – making it an ideal choice for a wide range of applications.

We understand your business demands more than just high-performance protection, so Hempafire Pro 315 has been developed to increase the efficiency of your entire project, from initial specification through to final application.

*Subject to project specification.

This product is available in 2 versions – standard and fast drying. Please contact your local sales representative to discuss which product is suitable for your project and environmental conditions.

Certifications:

- BS 476 - 20/21
- EN 13881-8
- EN 13881-9

Save costs with very competitive loadings

Increase productivity with fast throughput

Reduce complexity with one product for all profiles

Improve efficiency with versatile application properties

Save costs
with very
competitive
loadings

Cost efficiency, without compromise

A cost-effective solution for priceless safety in the event of cellulosic fire.

When it comes to project efficiency, Hempafire Pro 315 is hard to beat.

Thanks to its efficient loadings, you require lower dry film thicknesses on most steel profiles, reducing paint consumption compared to similar products. The lower film thicknesses also mean shorter drying times – giving you faster application, with less waste, fewer resources and lower costs.

Due to the lower film thicknesses required, the coating also achieves better mechanical characteristics faster, reducing the risk of damage during handling and transportation to lower your repair costs.

Reduced application and repair costs

- Lower loadings reduce paint consumption and drying times
- Reduced damages due to fast drying

Reduce complexity with one product for all profiles



Prague Airport (Czech Republic)
Protected by Hempel intumescent coatings

Advanced fire protection made simple

One coat for all steel profiles simplifies application and reduces your stock costs.

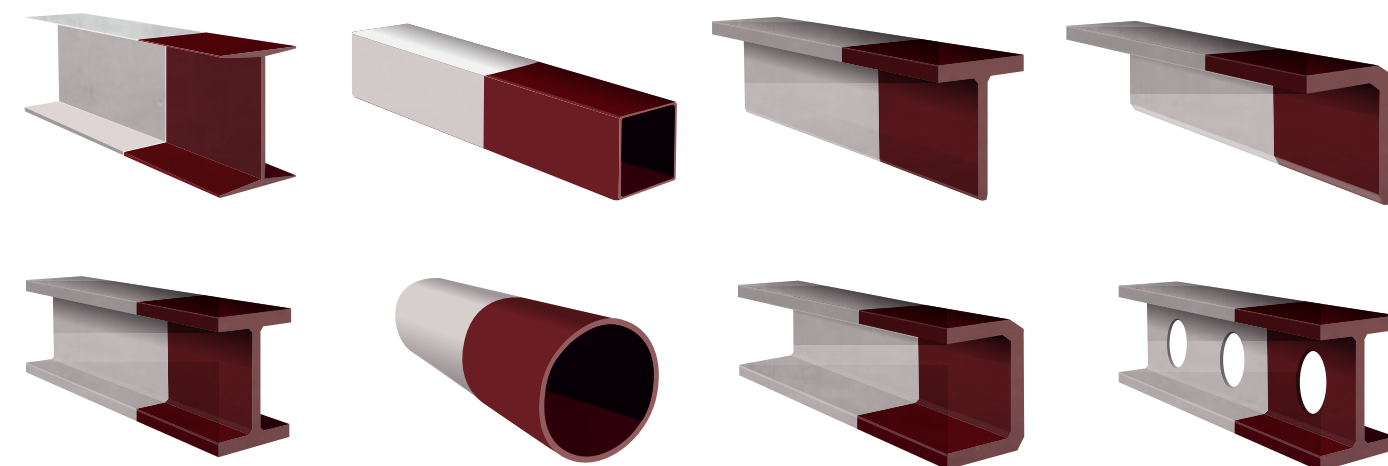
With multiple coatings for different steel profiles, fire protection can be complex. With Hempafire Pro 315, it no longer has to be.

It can be applied to all steel profile types – from thin hollow tubes to large open columns and cellular beams. Hempafire Pro 315 covers it all, making it a versatile solution for both on-site and off-site applications. As a result, you lower stock requirements and simplify application, logistics and specification processes.

Reduced project complexity

- Easier processes during project planning and execution
- Extra simplicity reduces the risk of incorrect application
- One solution for all projects lowers stock and operational costs

Open (I) sections, circular and rectangular hollow sections and cellular beams



Applicable to both beams and columns for all the above steel profiles.

Because your time is valuable

Get more done in less time with Hempafire Pro 315 – the perfect choice for higher productivity.

Due to its efficient loadings, Hempafire Pro 315 delivers excellent fire protection with lower film thicknesses which helps reduce drying times.

As a result, your coated steel section can be handled or overcoated sooner, reducing bottlenecks and increasing throughput and efficiency for off-site applications in the paint shop.

As a high-build coating, Hempafire Pro 315 can also be applied up to 1,600 microns in one coat, which means that almost all steel sections can be covered with just one layer of intumescent coating, making your on-site applications more efficient and your overall project completion times quicker.

Faster throughput for all steel sections

- Faster drying time increases off-site application efficiency
- Most steel sections protected in one coat
- Less damages due to very good mechanical properties achieved faster

“Due to the lower loadings of Hempafire Pro 315, we can now use less paint resulting in quicker drying times. This is a big advantage to our business as it will improve our delivery times, reduce project delays and maximise our overall productivity and throughput.”

Chief executive officer, Nanosteel, SA., Portugal

Increase productivity with fast throughput

Even further productivity gains can be achieved by using approved Hempel fast drying primers and topcoats. Contact your technical representative to get the best specification for your project.



Improve efficiency with versatile application properties

Engineered with applicators in mind

An advanced fire protection coating, designed to improve your application speed and efficiency.

As well as lower loadings and fast drying times, Hempafire Pro 315 is quick and easy to apply, giving you outstanding application properties and compatibility with your processes.

It goes on evenly and dries to a visually attractive finish. In addition, reduced dust formation means you need to spend less time on masking.

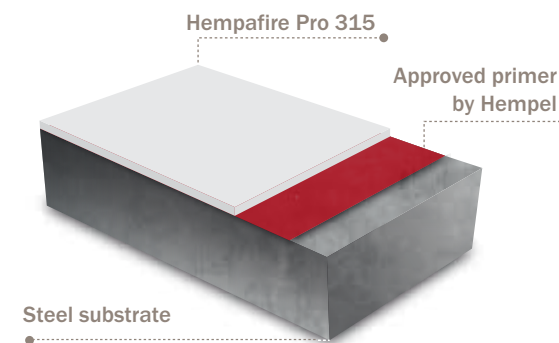
For on-site applications, Hempafire Pro 315 performs exceptionally well at high film thicknesses, without sagging. All this makes Hempafire Pro 315 a very versatile and applicator-friendly coating.

Increased application efficiency

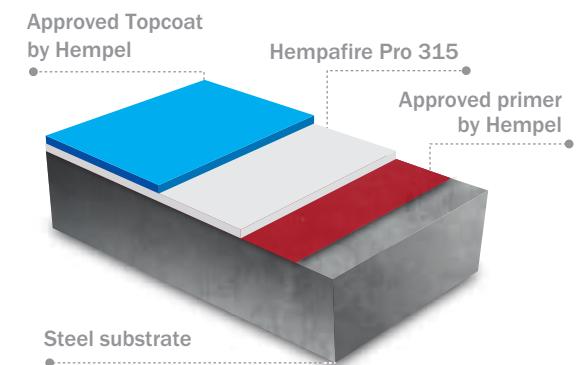
- Aesthetically attractive finish without the need for a topcoat*
- High-build films achieved without sagging
- Can be used with all standard spray equipment

*Subject to project specification.

For up to C3 interior environments



For up to C4 environments



We are here to support you

From specification through to ongoing maintenance, we work with you to improve the quality and efficiency when applying our coatings.

Hempel services puts our unique expertise at the heart of your coating process

Our certified coating advisors work with you to assist with a smooth start-up on new projects and advise on application and application equipment, ensuring you benefit from lower application costs, more efficient application and a high-quality finished coating.

A more efficient coating project

- Coating advisory service helps you save time and resources during application
- Global network of more than 600 coating advisors ensures local expertise

Hempel's new Centre of Excellence in Barcelona focuses on the research and development of coating products within the field of passive fire protection.

This state-of-the-art facility comprises of 3,000 m² of laboratory, testing areas and offices and is home to a team of highly skilled technicians, applicators, fire testers and scientists. As a global leader in the coatings industry, Hempel is committed to developing and increasing a range of solutions that our customers can trust to protect their buildings and industrial installations.



Trusted partner for your projects

Hempafire Pro 315 has been designed with unique char formation control which provides maximum insulation efficiency at extremely low dry film thickness.

The case stories here detail only a few of the great projects which have built our expertise in the area of intumescent coatings and set a foundation for developing a product of such qualities.

Maison de l'Ordre des Avocats, Paris

Also known as the 'House of the Paris Bar Association', this modern building is designed with glass façade and a glossy metal exoskeleton, which needed proven passive fire protection coating that would enable the steel to maintain its load-bearing capacity for up to 60 minutes during a fire.

Hempel's Hempafire Pro 315 intumescent coating system was chosen due to its compliance with the EN 13501-2 standard as well as its exceptionally low loadings, the product requires significantly lower dry film thicknesses resulting in reduced paint consumption, increased application time and lower project costs.



Photo © SERGIO GRAZIA

Vienna International Airport Hangar 7, Vienna

When the steelwork of the new Hangar 7 at Vienna International Airport needed passive fire protection, the contractor Haslinger Stahlbau turned to Hempel for advice.

Haslinger Stahlbau chose us for the project, not just because of our quality coatings, but also because of the high quality of our technical service. The final coating system met all the customer's requirements – including fire protection and corrosion protection in an aggressive environment – and was applied efficiently with the help of Hempel services.



Other references

- Animal Biotechnology Research Centre (Spain)
- Arena Toruń (Poland)
- Birmingham Hospital (United Kingdom)
- Dubrovnik Airport (Croatia)
- Halle Secrétan (France)
- Porsche Centre Hamburg (Germany)
- Václav Havel Airport Prague (Czech Republic)
- Vigo Railways Station (Spain)
- Volkswagen Production Hall (Slovakia)



As a world-leading supplier of trusted coating solutions, Hempel is a global company with strong values, working with customers in the protective, marine, decorative, container and yacht industries. Hempel factories, R&D centres and stock points are established in every region.

Across the globe, Hempel's coatings protect surfaces, structures and equipment. They extend asset lifetimes, reduce maintenance costs and make homes and workplaces safer and more colourful. Hempel was founded in Copenhagen, Denmark in 1915. It is proudly owned by the Hempel Foundation, which ensures a solid economic base for the Hempel Group and supports cultural, social, humanitarian and scientific purposes around the world.

Hempel A/S

Lundtoftegaardsvej 91
2800 Kgs. Lyngby
Denmark

Tel: +45 4593 3800
Email: hempafirepro@hempel.com
hempafirepro.hempel.com